

Incremental encoders

With blind or through hollow shaft

1...65536 pulses per revolution programmable

EIL580P - hollow shaft - *OptoPulse*[®]



EIL580P with blind hollow shaft

Features

- Size \varnothing 58 mm
- Precise optical sensing
- Output signal level programmable (TTL or HTL)
- Blind or through hollow shaft, \varnothing 8...15 mm
- Connection axial, radial or tangential
- Pulses per revolution 1...65536, programmable
- High protection up to IP 67
- High resistance to shock and vibrations

Technical data - electrical ratings

Voltage supply	4.75...30 VDC
Reverse polarity protection	Yes
Short-circuit proof	Yes
Consumption w/o load	\leq 70 mA
Initializing time	\leq 30 ms after power on
Pulses per revolution	1...65536
Scan ratio	45...55 % typical at 2048 ppr
Reference signal	Zero pulse 90° or 180°
Sensing method	Optical
Output frequency	\leq 300 kHz (TTL) \leq 160 kHz (HTL)
Output signals	A+, B+, R+, A-, B-, R-
Output stages	TTL/RS422 HTL/push-pull
Programmable parameters	Output level TTL/HTL Pulse number 1...65536 Zero pulse width 90°/180° Zero pulse position Signal sequence
Interference immunity	DIN EN 61000-6-2
Emitted interference	DIN EN 61000-6-3
Approval	UL 508 / CSA 22.2

Technical data - mechanical design

Size (flange)	\varnothing 58 mm
Motor shaft tolerance	0.2 mm axial 0.03 mm radial
Protection DIN EN 60529	IP 65 (without shaft seal), IP 67 (with shaft seal)
Starting torque	\leq 0.02 Nm (+20 °C, IP 65) \leq 0.025 Nm (+20 °C, IP 67)
Materials	Housing: aluminium die-cast Flange: aluminium
Operating temperature	-40...+100 °C
Relative humidity	90 % non-condensing
Resistance	DIN EN 60068-2-6 Vibration 30 g, 10-2000 Hz DIN EN 60068-2-27 Shock 250 g, 6 ms
Connection	Flange connector M12, 8-pin Flange connector M23, 12-pin Cable
Weight approx.	300 g

EIL580P - blind hollow shaft

Shaft type	\varnothing 8...15 mm (blind hollow shaft)
Operating speed	\leq 6000 rpm (+20 °C, IP 67) \leq 8000 rpm (+20 °C, IP 65)

EIL580P - through hollow shaft

Shaft type	\varnothing 8...15 mm (through hollow shaft)
Operating speed	\leq 3000 rpm (+20 °C, IP 67) \leq 6000 rpm (+20 °C, IP 65)

Incremental encoders

With blind or through hollow shaft

1...65536 pulses per revolution programmable

EIL580P - hollow shaft - *OptoPulse®*

Part number

Blind hollow shaft

EIL580P- **B** . . . **F** . **01024** . **B**

Operating temperature
B -40...+100 °C

Pulses programmable
01024 1...65536 programmable (factory setting: 1024)

Voltage supply / output stages
F 4.75...30 VDC, TTL/RS422, 6 channels (Vout = 5 VDC) - Factory setting
HTL/push pull 6 channel (Vout = Vin) - programmable by customer

Connection

- R Cable radial, 1 m**
- L Cable radial, 2 m
- F Flange connector M23, 12-pin, radial, male, ccw**
- B Flange connector M12, 8-pin, radial, male, ccw
- T Cable axial, 1 m
- U Cable axial, 2 m
- D Flange connector M23, 12-pin, axial, male, ccw
- A Flange connector M12, 8-pin, axial, male, ccw
- P Cable tangential, 1 m
- Q Cable tangential, 2 m

Protection

- 5 IP 65**
- 7 IP 67

Specification hollow shaft

- | | |
|---|---|
| 08 ø8 mm, clamping ring at A side | U4 ø1/2" (12.7 mm), clamping ring at A side |
| U3 ø3/8" (9,52 mm), clamping ring at A side | 14 ø14 mm, clamping ring at A side |
| 10 ø10 mm, clamping ring at A side | 15 ø15 mm, clamping ring at A side |
| 12 ø12 mm, clamping ring at A side | |

Flange

- N Without stator coupling
- T With stator coupling ø63 mm**
- P Torque pin 3 mm, axial/radial

Shaft type

- B Blind hollow shaft

Printed in **bold** = standard items (up to the quantity of 10 will be supplied within 5 working days).

(Factory setting: 1024 ppr, Vout = 5 VDC TTL, signal sequence A leading B (CW), zero pulse 90° A&B high)

Stock items

EIL580P-BT12.5FF.01024.B | EIL580P-BT14.5FF.01024.B

Numerous stock items in single quantity will be supplied within 24 hours respectively one day ex works.

Incremental encoders

With blind or through hollow shaft

1...65536 pulses per revolution programmable

EIL580P - hollow shaft - *OptoPulse*[®]

Part number

Through hollow shaft

EIL580P- T . . . F . 01024 . B

Operating temperature
B -40...+100 °C

Pulses programmable
01024 1...65536 programmable (factory setting: 1024)

Voltage supply / output stages
F 4.75...30 VDC, TTL/RS422, 6 channels (Vout = 5 VDC) - Factory setting
HTL/push pull 6 channel (Vout = Vin) - programmable by customer

Connection

- R Cable radial, 1 m**
- L Cable radial, 2 m
- F Flange connector M23, 12-pin, radial, male, ccw**
- B Flange connector M12, 8-pin, radial, male, ccw
- P Cable tangential, 1 m
- Q Cable tangential, 2 m

Protection

- 5 IP 65**
- 7 IP 67

Specification hollow shaft

- | | |
|---|---|
| 08 ø8 mm, clamping ring at A side | 15 ø15 mm, clamping ring at A side |
| U3 ø3/8" (9,52 mm), clamping ring at A side | V3 ø3/8" (9,52 mm), clamping ring at B side |
| 10 ø10 mm, clamping ring at A side | B0 ø10 mm, clamping ring at B side |
| 12 ø12 mm, clamping ring at A side | B2 ø12 mm, clamping ring at B side |
| U4 ø1/2" (12.7 mm), clamping ring at A side | V4 ø1/2" (12.7 mm), clamping ring at B side |
| 14 ø14 mm, clamping ring at A side | B4 ø14 mm, clamping ring at B side |

Flange

- N Without stator coupling
- T With stator coupling ø63 mm**
- P Torque pin 3 mm, axial/radial

Shaft type

- T Through hollow shaft

Printed in **bold** = standard items (up to the quantity of 10 will be supplied within 5 working days).

(Factory setting: 1024 ppr, Vout = 5 VDC TTL, signal sequence A leading B (CW), zero pulse 90° A&B high)

Stock items

EIL580P-TT12.5FF.01024.B | EIL580P-TT14.5FF.01024.B

Numerous stock items in single quantity will be supplied within 24 hours respectively one day ex works.

Incremental encoders

With blind or through hollow shaft

1...65536 pulses per revolution programmable

EIL580P - hollow shaft - *OptoPulse*[®]

Accessories		Accessories	
Connectors and cables		11155325	Mounting plate, 1-arm, pitch circle diameter $\varnothing 95$ mm, mounting M6, isolated, rigid, suitable for Baumer torque arm size M6 (DMS 6) (mounting kit 099)
10127844	Connection cable 2 m shielded with female connector M12, 8-pin, straight (ESG 34FH0200G)	11129153	Torque arm, 1-arm open, bolt circle $\varnothing 41...54$ mm, mounting M4 (mounting kit 200)
10129332	Connection cable 5 m shielded with female connector M12, 8-pin, straight (ESG 34FH0500G)	11100198	Stator coupling, 2-armed, bolt circle $\varnothing 63$ mm, mounting M3 (mounting kit 046)
10129333	Connection cable 10 m shielded with female connector M12, 8-pin, straight (ESG 34FH1000G)	11106627	Fan cover clip 8 mm
11053961	Connection cable 2 m shielded with female connector M12, 8-pin, angled (ESW 33FH0200G)	11094674	Clamping ring 12/31/ 8 M3 8.8 for EIL580 hollow shaft $\varnothing 8...10$ mm for clamping at A or B side
11053962	Connection cable 5 m shielded with female connector M12, 8-pin, angled (ESW 33FH0500G)	11094675	Clamping ring 17/31/ 8 M3 8.8 for EIL580 hollow shaft $\varnothing 12...15$ mm for clamping at A side
10170054	Connection cable 10 m shielded with female connector M12, 8-pin, angled (ESW 33FH1000G)	11116921	Insulating sleeve $\varnothing 10$ mm/ $\varnothing 12$ mm/25 mm long
10164705	Connector M23, 12-pin	11116923	Insulating sleeve $\varnothing 12$ mm/ $\varnothing 14$ mm/25 mm long
11095302	Connection cable 1 m shielded with female connector M23, 12-pin	Mounting accessories for EIL580P - through hollow shaft	
11100408	Connection cable 2 m shielded with female connector M23, 12-pin	11066081	Torque arm, 1-arm, bolt circle $\varnothing 82$ mm, mounting M4 (mounting kit 003)
11100430	Connection cable 5 m shielded with female connector M23, 12-pin	11066083	Torque arm, 1-arm, bolt circle $\varnothing 74...94$ mm, mounting M4/M5 (mounting kit 006)
11100431	Connection cable 10 m shielded with female connector M23, 12-pin	11073119	Torque arm, 1-arm, bolt circle $\varnothing 65.5...281$ mm, mounting M4, can be cut to length (mounting kit 021)
11119280	Connection cable connector M12 / connector D-SUB, 0.2 m	11067367	Torque arm, 1-arm, bolt circle $\varnothing 74...94$ mm, mounting M6 (mounting kit 028)
11119720	Connection cable connector M12 / connector D-SUB, 1 m	11113210	Torque arm, 1-arm, bolt circle $\varnothing 63...94$ mm, mounting M4 (mounting kit 047)
11119257	Connection cable connector M23 / connector D-SUB, 0.2 m (S2BG12/K4SG9)	11155325	Mounting plate, 1-arm, pitch circle diameter $\varnothing 95$ mm, mounting M6, isolated, rigid, suitable for Baumer torque arm size M6 (DMS 6) (mounting kit 099)
11119723	Connection cable connector M23 / connector D-SUB, 1 m (S2BG12/K4SG9)	11129153	Torque arm, 1-arm open, bolt circle $\varnothing 41...54$ mm, mounting M4 (mounting kit 200)
Mounting accessories for EIL580P - blind hollow shaft		11100198	Stator coupling, 2-armed, bolt circle $\varnothing 63$ mm, mounting M3 (mounting kit 046)
11066081	Torque arm, 1-arm, bolt circle $\varnothing 82$ mm, mounting M4 (mounting kit 003)	11106627	Fan cover clip 8 mm
11066083	Torque arm, 1-arm, bolt circle $\varnothing 74...94$ mm, mounting M4/M5 (mounting kit 006)	11094674	Clamping ring 12/31/ 8 M3 8.8 for EIL580 hollow shaft $\varnothing 8...10$ mm for clamping at A or B side
11073119	Torque arm, 1-arm, bolt circle $\varnothing 65.5...281$ mm, mounting M4, can be cut to length (mounting kit 021)	11094675	Clamping ring 17/31/ 8 M3 8.8 for EIL580 hollow shaft $\varnothing 12...15$ mm for clamping at A side
11067367	Torque arm, 1-arm, bolt circle $\varnothing 74...94$ mm, mounting M6 (mounting kit 028)	11123483	Clamping ring 16/31/ 8 M3 8.8 for EIL580 hollow shaft $\varnothing 12...14$ mm for clamping at B side
11113210	Torque arm, 1-arm, bolt circle $\varnothing 63...94$ mm, mounting M4 (mounting kit 047)	11116921	Insulating sleeve $\varnothing 10$ mm/ $\varnothing 12$ mm/25 mm long

Incremental encoders

With blind or through hollow shaft

1...65536 pulses per revolution programmable

EIL580P - hollow shaft - *OptoPulse*[®]

Accessories

11116923	Insulating sleeve \varnothing 12 mm/ \varnothing 14 mm/25 mm long
----------	---

Programming accessories

11120657	Handheld Programming Tool Z-PA-EI-H
----------	-------------------------------------

11120547	PC Programming Tool Z-PA-EI-P
----------	-------------------------------

Incremental encoders

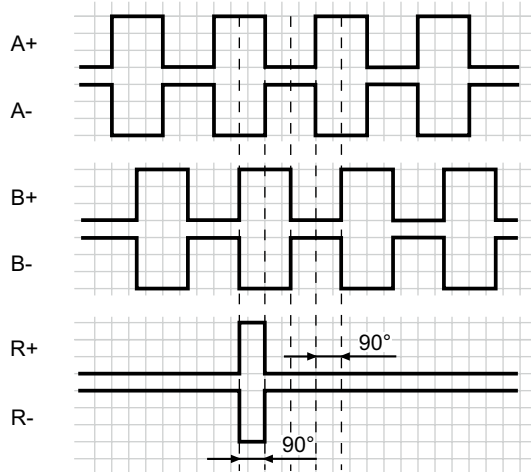
With blind or through hollow shaft

1...65536 pulses per revolution programmable

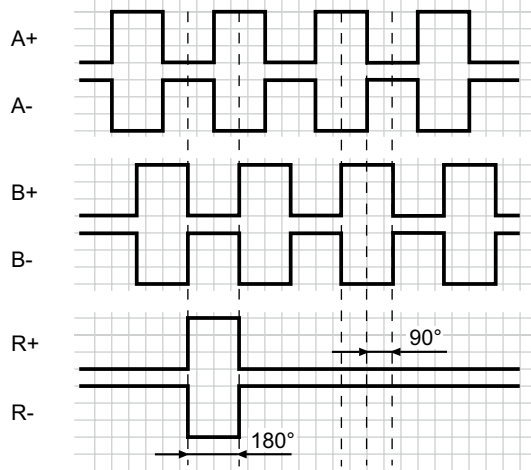
EIL580P - hollow shaft - *OptoPulse*[®]

Output signals

Zero pulse electrical 90° A&B high
(Factory setting at clockwise rotation (CW)
in view of the encoder flange)



Zero pulse electrical 180° B low
(at clockwise rotation (CW)
in view of the encoder flange)



Trigger level

Outputs	TTL/RS422
Output level High	≥2.5 V
Output level Low	≤0.5 V
Load	≤20 mA

Outputs	HTL/Push-pull
Output level High	≥UB -3 V
Output level Low	≤1.5 V
Load	≤20 mA

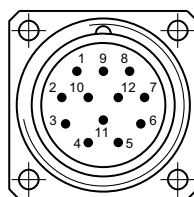
Terminal assignment

Flange connector M23, 12-pin / cable

Pin	Core color	Assignment
1	pink	B-
2	–	–
3	blue	R+
4	red	R-
5	green	A+
6	yellow	A-
7	–	R-Set ¹⁾
8	grey	B+
9	–	–
10	white	GND
11	–	–
12	brown	UB

Screen: Connected to housing

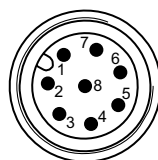
Cable data: PUR, [4x2x0,14 mm²], bending radius
>45,8 mm, outer diameter 6.1 mm



¹⁾ The R-Set input is used to set the reference pulse (zero pulse) on the current shaft position.
R-Set = UB ≥ 200 ms

Flange connector M12, 8-pin

Pin	Assignment
1	GND
2	UB
3	A+
4	A-
5	B+
6	B-
7	R+
8	R-



Incremental encoders

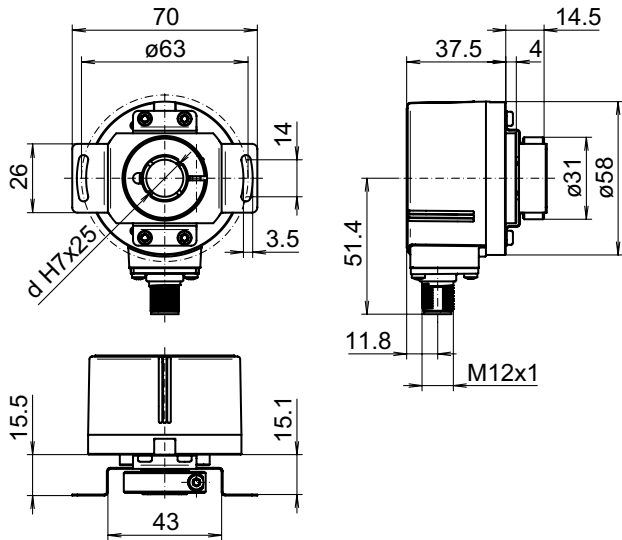
With blind or through hollow shaft

1...65536 pulses per revolution programmable

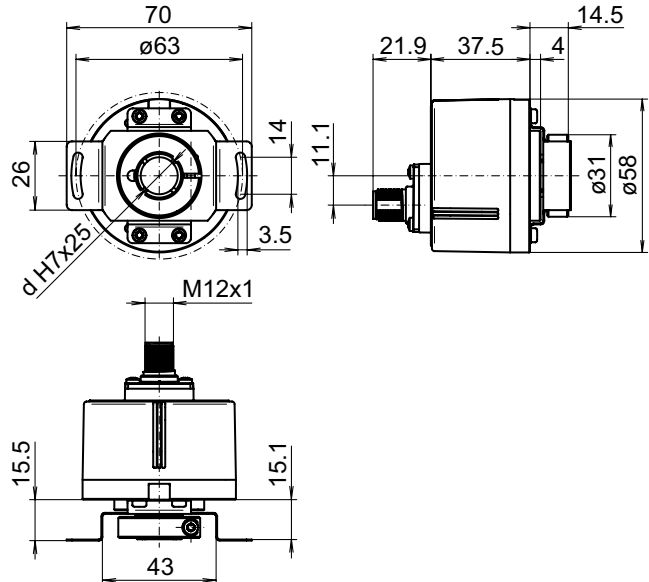
EIL580P - hollow shaft - OptoPulse®

Dimensions

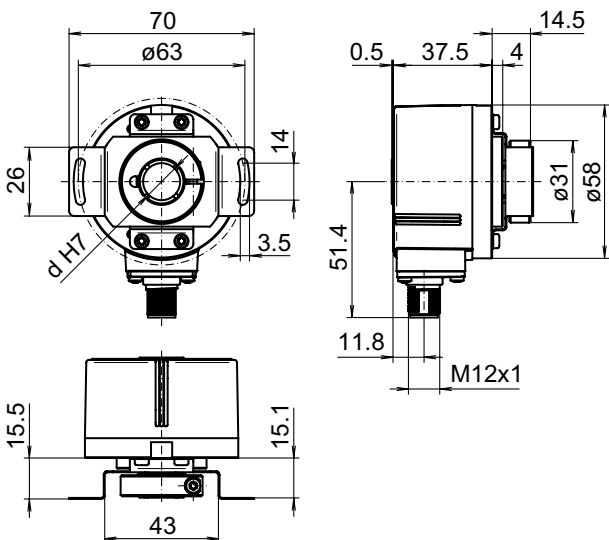
**Clamping ring at A-side:
Blind hollow shaft, flange connector M12 radial**



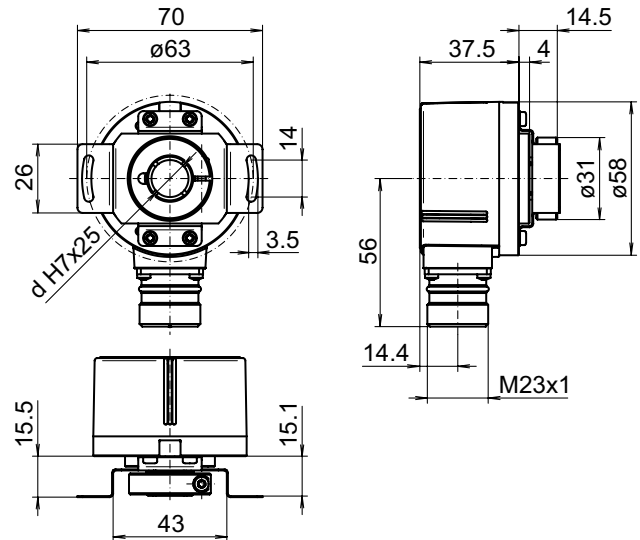
**Clamping ring at A-side:
Blind hollow shaft, flange connector M12 axial**



**Clamping ring at A-side:
Through hollow shaft, flange connector M12 radial**



**Clamping ring at A-side:
Blind hollow shaft, flange connector M23 radial**



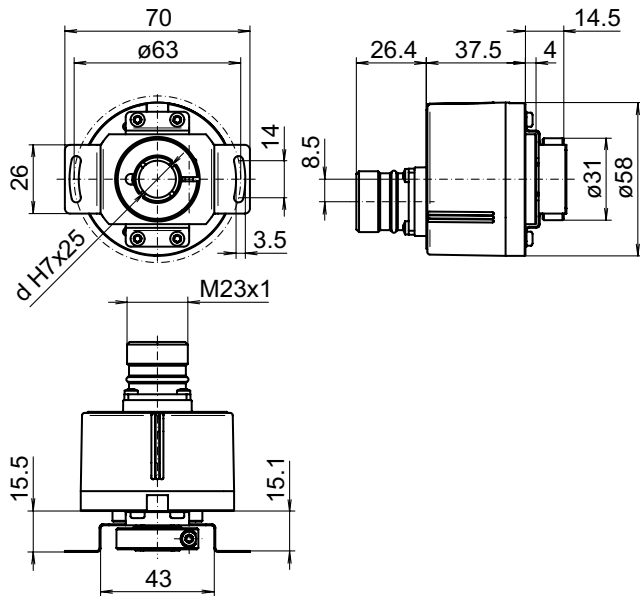
Incremental encoders

With blind or through hollow shaft
1...65536 pulses per revolution programmable

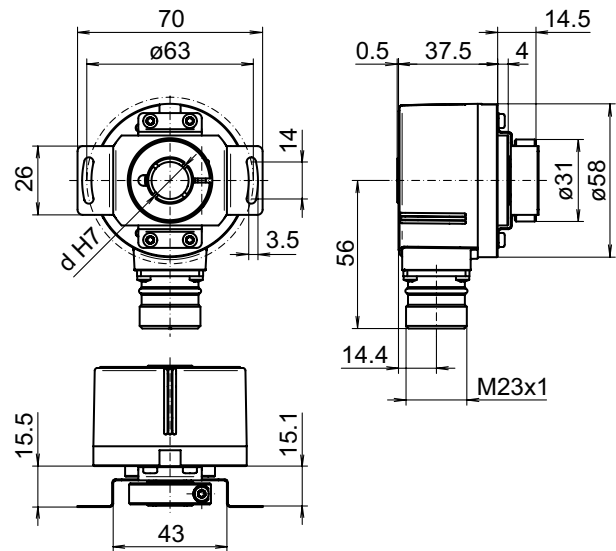
EIL580P - hollow shaft - *OptoPulse®*

Dimensions

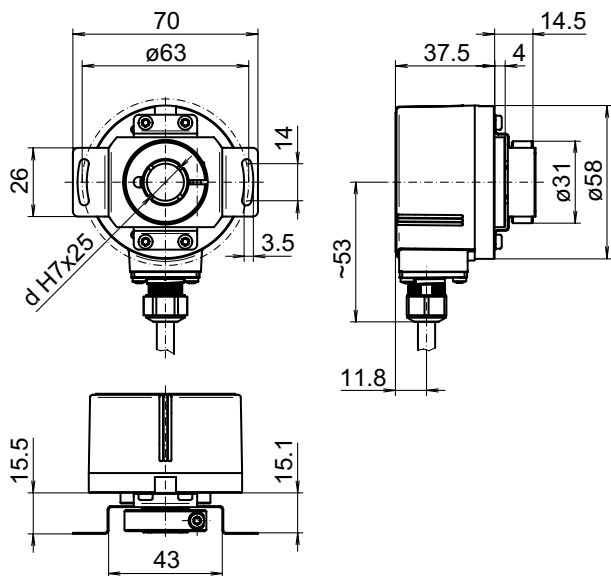
Clamping ring at A-side:
Blind hollow shaft, flange connector M23 axial



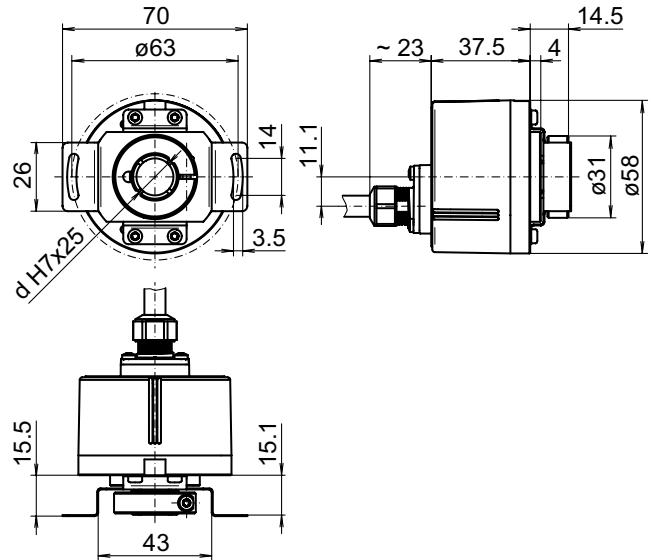
Clamping ring at A-side:
Through hollow shaft, flange connector M23 radial



Clamping ring at A-side:
Blind hollow shaft, cable radial



Clamping ring at A-side:
Blind hollow shaft, cable axial



Incremental encoders

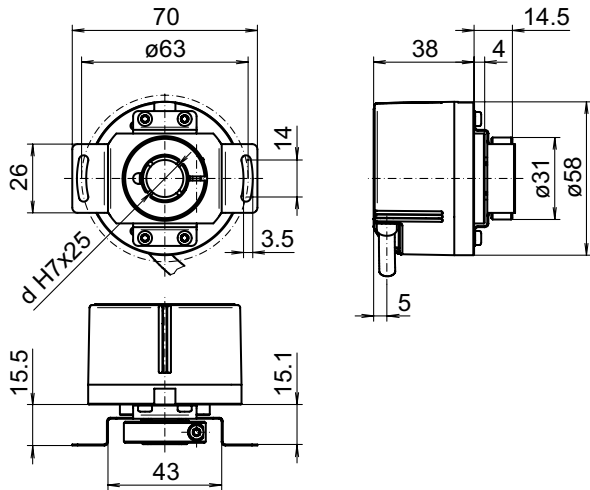
With blind or through hollow shaft

1...65536 pulses per revolution programmable

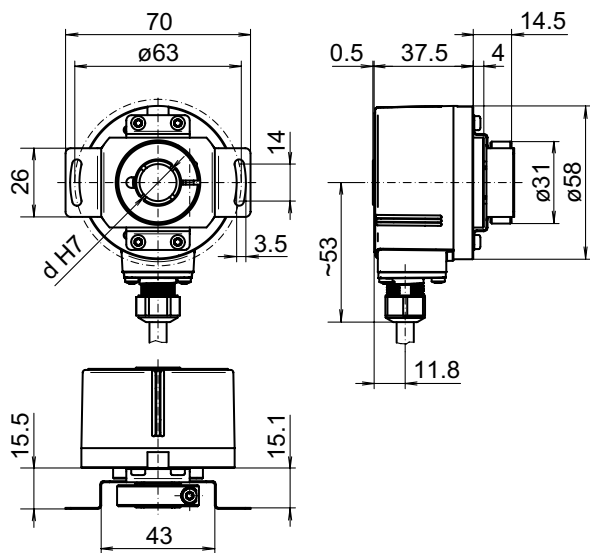
EIL580P - hollow shaft - *OptoPulse*[®]

Dimensions

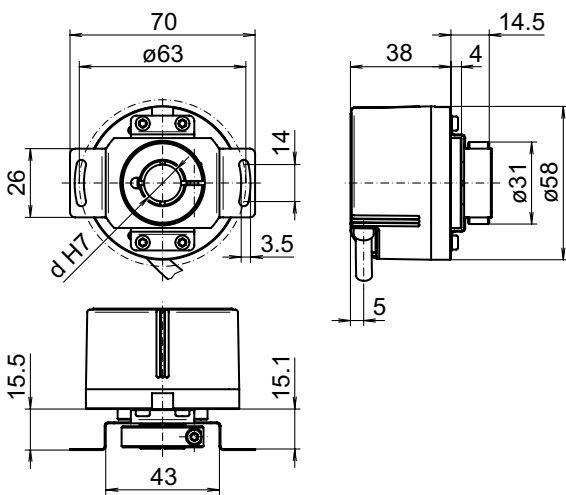
**Clamping ring at A-side:
Blind hollow shaft, cable tangential**



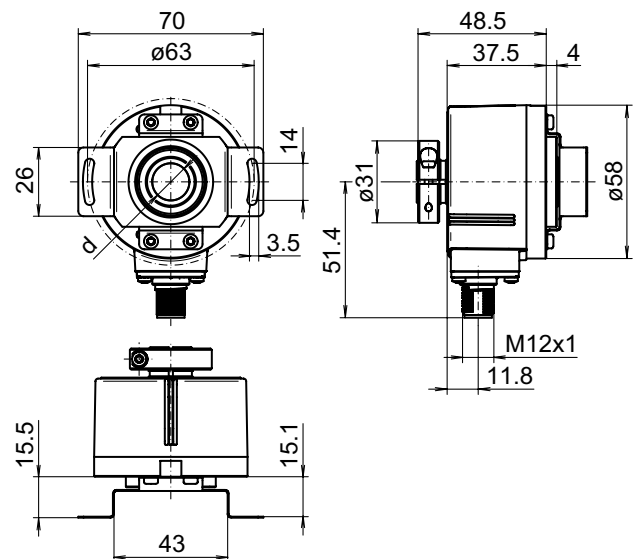
**Clamping ring at A-side:
Through hollow shaft, cable radial**



**Clamping ring at A-side:
Through hollow shaft, cable tangential**



**Clamping ring at B-side:
Through hollow shaft, flange connector M12 radial**



d H7: ø10, ø12, ø14
d G7: ø3/8" (ø9.52), ø1/2" (ø12.7)

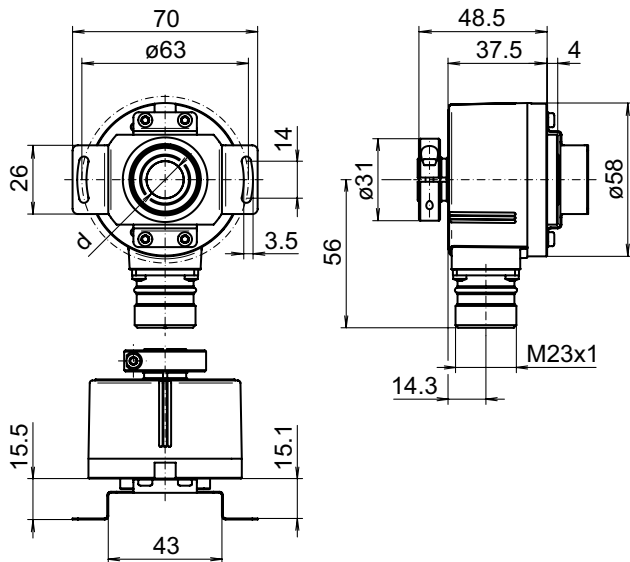
Incremental encoders

With blind or through hollow shaft
1...65536 pulses per revolution programmable

EIL580P - hollow shaft - *OptoPulse*[®]

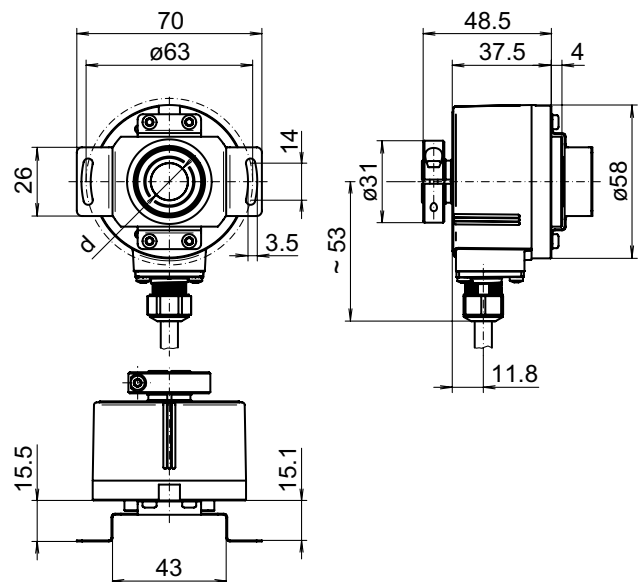
Dimensions

Clamping ring at B-side:
Through hollow shaft, flange connector M23 radial



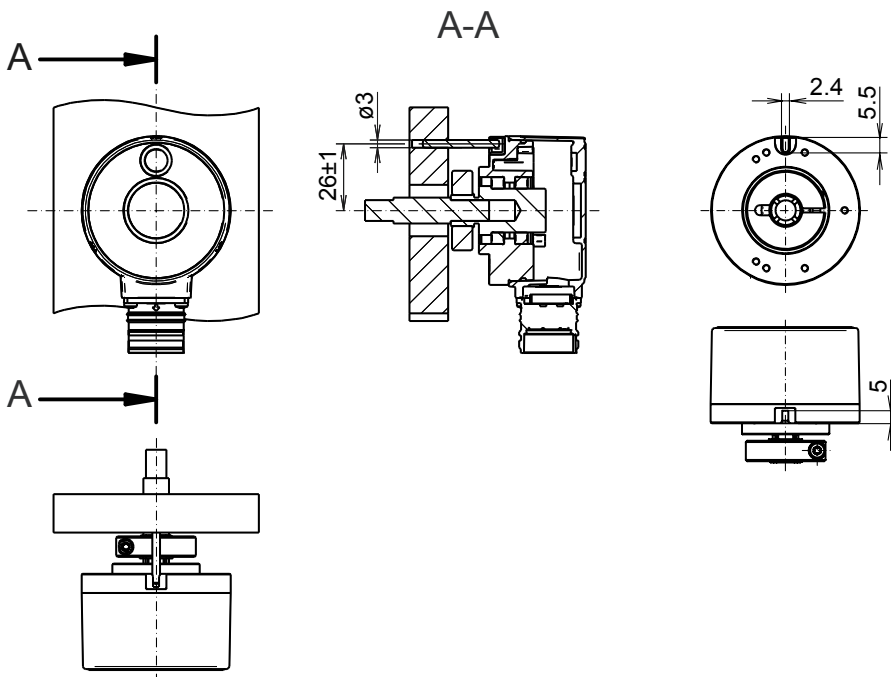
d H7: $\varnothing 10$, $\varnothing 12$, $\varnothing 14$
d G7: $\varnothing 3/8''$ ($\varnothing 9.52$), $\varnothing 1/2''$ ($\varnothing 12.7$)

Clamping ring at B-side:
Through hollow shaft, cable radial



d H7: $\varnothing 10$, $\varnothing 12$, $\varnothing 14$
d G7: $\varnothing 3/8''$ ($\varnothing 9.52$), $\varnothing 1/2''$ ($\varnothing 12.7$)

Pin torque support, axial, clamping ring at A-side



Incremental encoders

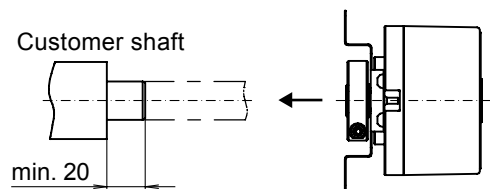
With blind or through hollow shaft

1...65536 pulses per revolution programmable

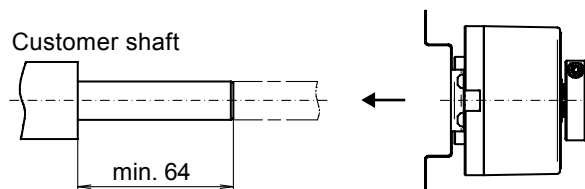
EIL580P - hollow shaft - *OptoPulse*[®]

Dimensions

Clamping ring at A-side: Through hollow shaft



Clamping ring at B-side: Through hollow shaft



Blind hollow shaft

